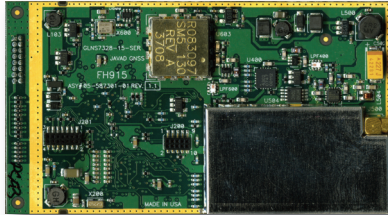


FH915



For operation manuals and other technical documents please see links below. To update your modem now (and frequently later) please visit our website and download the latest firmware. Here are links to the FH915 firmware, documentation, and utilities:

- **FH915 Downloads**

<http://www.arwestcom.com/products/ssr/fh915>

- **FH915 Newest Firmware Version**

<http://www.arwestcom.com/firmware/FH915.zip>

- **FH915 User Manual**

http://www.arwestcom.com/doc/FH915_User_Manual.pdf

- **FH915 Data Sheet**

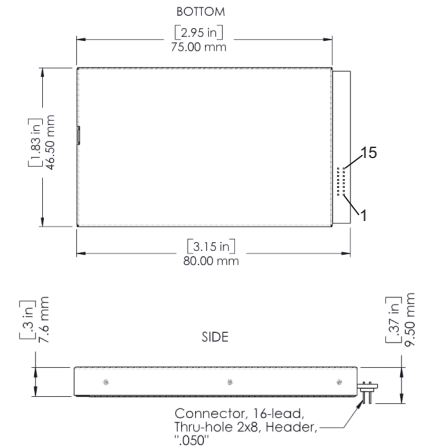
http://www.arwestcom.com/doc/FH915_Datasheet.pdf

FH915

Support Inquiries

The support area of the website www.arwestcom.com provides access to frequently asked questions, configuration procedures, manuals, e-mail support, etc. Should you have any problems with FH915, please contact ArWest Customer Support support@arwestcom.com. Generally, you will receive a response within 24 hours or less, depending on the severity of the problem.

PIN #	Signal Designator	Signal name	Description	I/O	Comments
1	GND	GND	Ground	-	Signal and Chassis Ground
2	DSP UART 1	TXD	Transmitted Data	TTL Input	Serial Data Input
3	DSP UART 2	RXD	Received Data	TTL Output	Output for received serial data
4	DPORT5	DTR or DP/MP	Data Terminal Ready	TTL Input	Control line can be used as a backup method for entering Command mode: (0V) – Maintenance Mode; (3.3V) – Data Mode An internal 100K pull-up enables Data Mode if this signal is left unconnected. Maintenance Mode is also accessible by transmitting an escape sequence.
5	DPORT1	CTS	Clear to Send	TTL Output	Used to control transmit flow from the user to the radio: (0V) – Transmit buffer not full, continue transmitting (3.3V) – Transmit buffer full, stop transmitting
6	TTL1	SLEEP	Sleeps/wakes radio Receive only	TTL Input	In sleep mode, all radio functions are disabled consuming less than 50µA. An internal 10K pull-down wakes up the radio if this signal is left unconnected. At wake up, any user programmed configuration settings are refreshed from flash memory, clearing any temporary settings that may have been set: (3.3V) – Sleep Radio; (0V) – Wake Radio As an option could be used as TTL Input Line 1.
7	DPORT3	MDM_GRN	Data Carrier Detect	TTL Output	Used by remotes to indicate that the remote has successfully acquired the signal from base station: (0V) 1 – Carrier detected (synchronized) (3.3V) 0 – No carrier detected (not synchronized)
8	DPORT4	RTS	Request to Send	TTL Input	Gates the flow of receive data from the radio to the user on or off. An internal 10K pull-down enables data receive if this signal is left unconnected. In normal operation, this signal should be asserted: (0V) – Receive data (Rx) enabled (3.3V) – Receive data (Rx) disabled
9	DPORT2	DSR	Data Set Ready	TTL Output	Used to control transmit flow from the user to the radio: (0V) 1 – Receive buffer has data to transfer; (3.3V) 0 – Receive buffer is empty
10	RES CONT	RESCONT	Reset the radio	TTL Input	Reset the radio by shortening this pin to the ground.
11	TTLO1	TTLOUT1	TTL Output Line 1	TTL Output	Reserve line
12	TTLO2	TTLOUT2	TTL Output Line 2	TTL Output	Reserve line
13	GND	GND	Ground	-	Signal and Chassis Ground
14	TTL2	TTLIN	TTL Input line	TTL Input	An internal 100K pull-up resistor is applied.
15	VCC36	PWR	Power Supply	External	Regulated positive 4.0V DC from ext. Power Supply.
16	VCC36	PWR	Power Supply	External	Regulated positive 4.0V DC from ext. Power Supply.



Read this First