



## Beacon Antenna

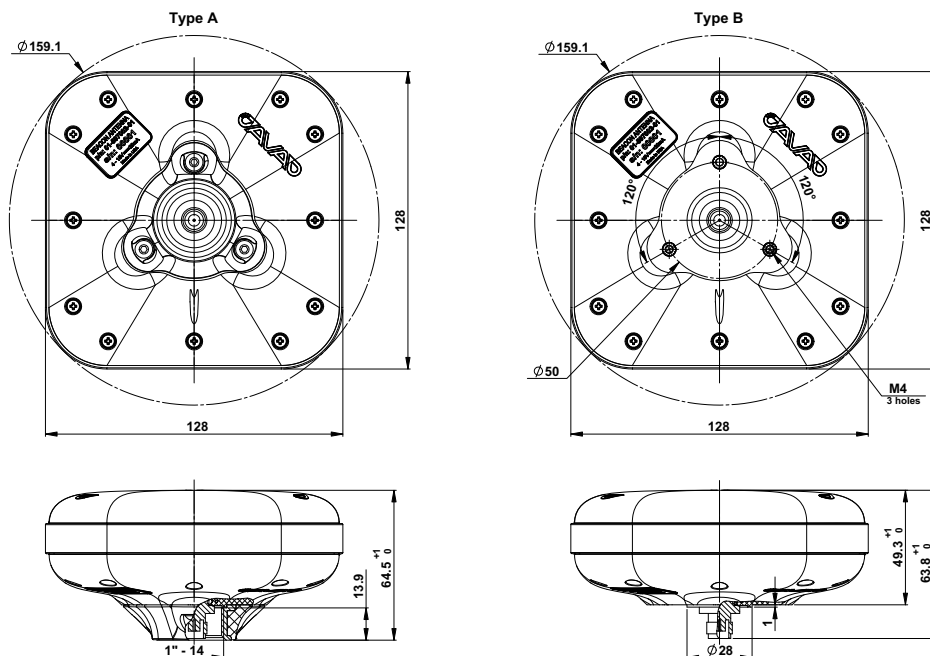
p/n 01-597002-01

This antenna is designed to help maintain tracking of Beacon signals in challenging environments.

The antenna is designed for use with ArWest Beacon receivers.

# Beacon Antenna

Beacon Sensor	
Beacon Frequency	283.5 - 325 KHz
Beacon LNA Gain	20 dB
Power	
Input Voltage	4 to 15 VDC
Input Current	10 - 15 mA
Mechanical	
Enclosure	Radome: ABS Base: ABS
Mount	1-14 inches mount (Type A) 3 holes M5 (Type B)
RF Connector ironmental	TNC
Color	JAVAD GNSS Green
Environmental	
Operating Temperature	-30°C to +70°C
Storage Temperature	-40°C to +85°C
Enclosure Rating	IP69K
Humidity	96% non-condensing



Specifications are typical and subject to change without prior notice

ArWest Communications Corp. 900 Rock Avenue, San Jose, CA 95131  
Tel+1 408 770 1790 Fax: +1 408 770-1799 Email: sales@arwestcom.com  
© 2013 ArWest Corp.

[www.arwestcom.com](http://www.arwestcom.com)  
Revision 1.0 February 21, 2013